

LD Line 25 Exterior

25mm Wide Exterior Line of Light



Data sheet - Page 1



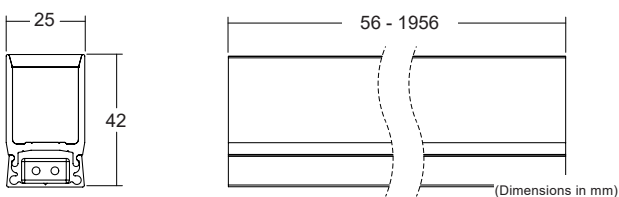
Design: Light Bureau Project: 10 Bloomsbury Way Product: LD Line 25 Exterior

The new LD Line 25 is an exterior rated LED homogenous line of light. It is custom made to suit the dimensions on site. Cut increments of 50mm allow lengths to fit into most details, with minimal dark spots. Please note that LD Line 25 Exterior is not suitable for external applications within the floor / ground. LD Line 25 can be mounted internally into the floor / ground, but only in areas of low footfall.

Key Features

- Completely homogeneous line of light
- No spotting of LEDs
- Multiple lengths can be installed end to end for a continuous line of light
- Custom made lengths from 56mm to 1956mm
- 50mm cut increments
- Minimal recess depth
- Surface or recessed mounted
- First fix channel
- Easy installation with innovative wiring method (Single colour only)
- IP67 as standard (not suitable for external in-ground high footfall areas)
- Single colour or RGBW
- Not flexible
- 15m can be run off one driver, please talk to us about driver locations and distances
- Available with Switched, 1-10V, DMX or Dali drivers

Product Dimensions



LD Line 25 Exterior

25mm Wide Exterior Line of Light



Data sheet - Page 2

Specification

LED output options	Shortpitch		RGBW
Applications			
	<p>Highlighting architectural details, steps</p>		<p>Colour change</p>
Description	Short pitch tape		RGB+W tape
Colour Temperature	2400K / 2700K / 3000K	4000K / 5000K	RGB + 3000K(2200K)*
CRI	80+		80+
Delivered lumens / m**	300lm/m	400lm/m	600 lm/m
Watts / m	8.9W/m		19.9W/m
Lumens per watt	61lm/w		64.9lm/w
LED cut increments	50mm		100mm
LED spacing	8.3mm		16.7mm
Min single length	50mm		114mm
Max single length***	3000mm		
LED	Osram Flex		
Voltage (V)	24V DC		
LED lifetime	50,000hrs (to 70% lumen output)		
Max ambient Temperature	45°C		
Materials	Anodised aluminium extrusion, anodised aluminium end caps, resin,		
IP rating	IP67		

* RGBW tape is in direct contact with the resin which causes the white LED to shift in colour by 800K. Bracketed temperature indicates reading before colour shift. White LED Tape is in a protective housing so there is no colour shift.

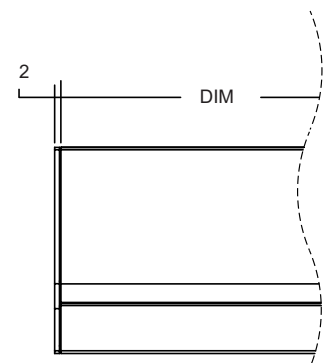
**Lumen data is estimated, we are awaiting photometric testing

***Shipping and practicalities of installation need to be considered when specifying long lengths



End Caps

LD Line 25 can be specified with end caps (2 per inline run). They will have an adhesive gasket and backing paper to allow for self installation on site. So as to ensure the correct amount of end caps are received, please contact LightGraphix to discuss project details.



Note:- length dimensions are not including end caps.
(2mm per cap will be added to total length)

LD Line 25 Exterior

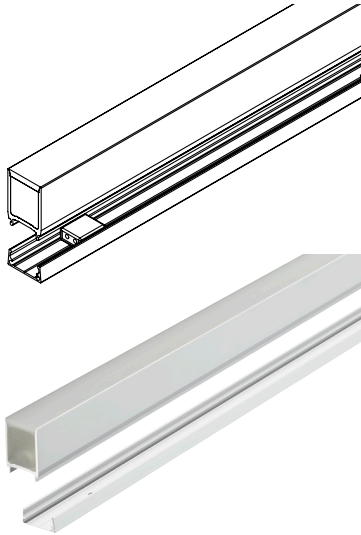
25mm Wide Exterior Line of Light



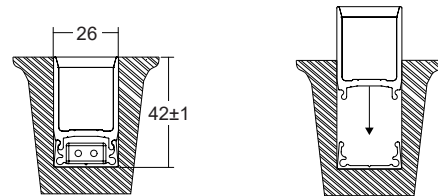
Data sheet - Page 3

Fixing and mounting details

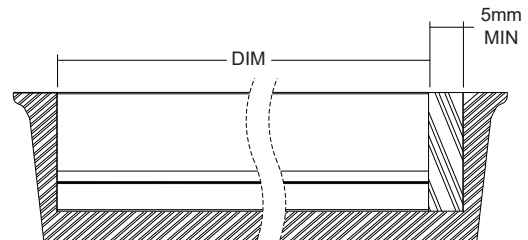
The system has two parts. A first fix aluminium channel is screwed to the mounting surface. Allowing the main body to clip into this.



For recessed details the groove needs to be the dimensions listed below:



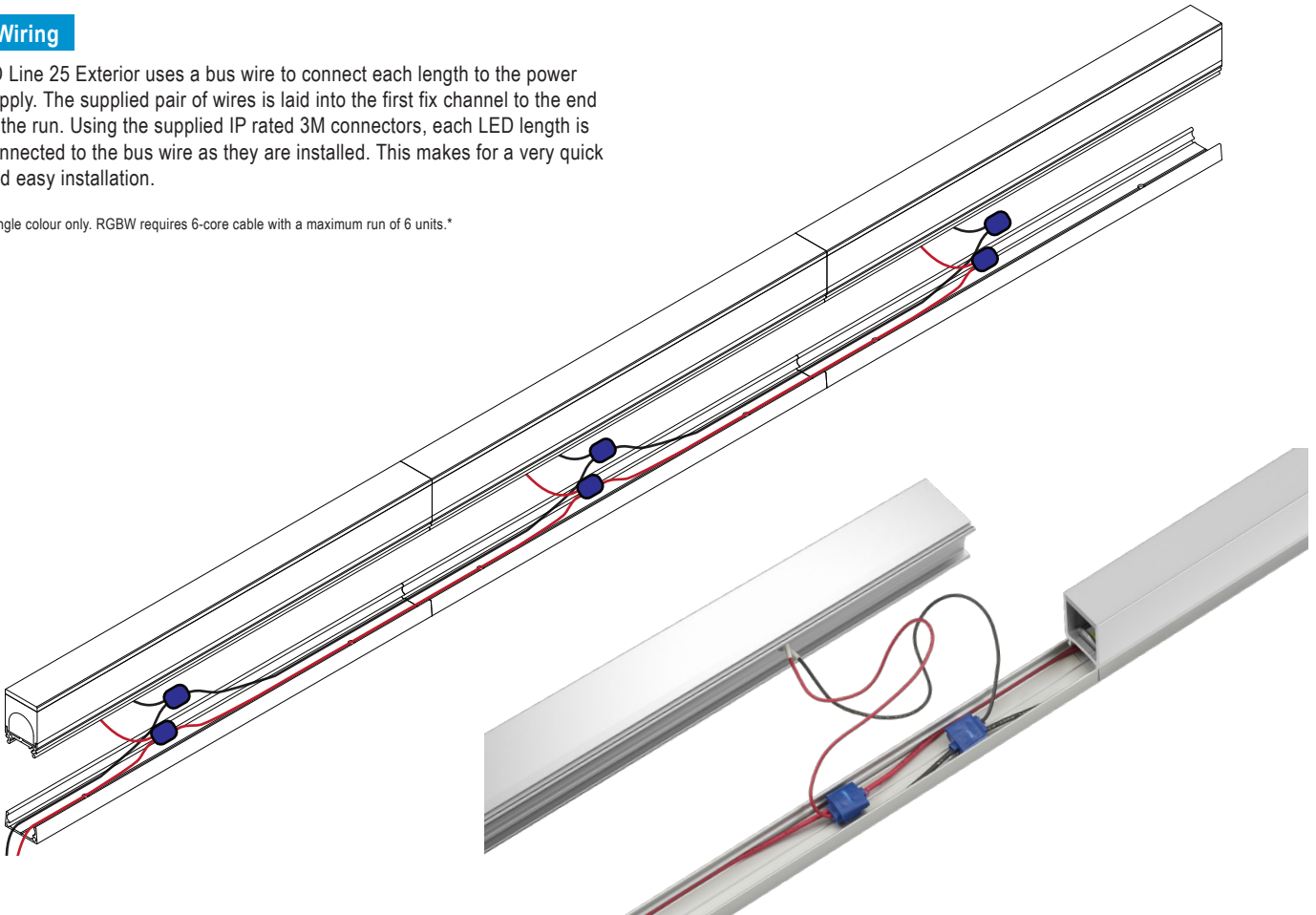
Excess channel length should be considered to aid with thermal expansion and removal. Recommended amount of length = 5mm.



Wiring

LD Line 25 Exterior uses a bus wire to connect each length to the power supply. The supplied pair of wires is laid into the first fix channel to the end of the run. Using the supplied IP rated 3M connectors, each LED length is connected to the bus wire as they are installed. This makes for a very quick and easy installation.

Single colour only. RGBW requires 6-core cable with a maximum run of 6 units.



LD Line 25 Exterior

25mm Wide Exterior Line of Light



Data sheet - Page 4

Multiple lengths

Multiple lengths can be installed end to end to create a continuous line of light. 90deg corners can be accommodated. Angled mitred corners are not possible.



Broad diffused beam



Order Codes and Options

Product code	LED	LED colour	Length
LD Line 25 Exterior	<input type="text"/>	<input type="text"/>	<input type="text"/>

Example: LD Line 25 Exterior / Short / LW30 / 1006mm

LED output options		Suffix
Short	304 lm/m*	/LW30
RGBW	600 lm/m*	/RGBW
LED colour options		
Super Warm White (2400K)		/LW24
Extra Warm White (2700K)		/LW27
Warm White (3000K)		/LW30
White (4000K) - on request		/LW40
Cool White (5000K)		/LW50

*Other LED colour temperatures are available. Please speak to a member of our sales team.

To be used with 24V constant voltage LED Drivers and Controllers

We offer a range of drivers with 1-10V, DMX, and DALI dimming options. Please download the data sheet from the downloads section at www.lightgraphix.co.uk, or contact us for more information